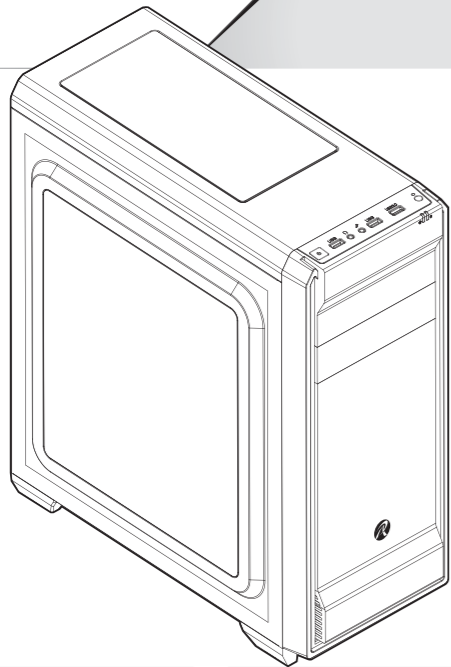




# ARCADIA II

ATX GENESIS CHASSIS



Stand-off x 3  
Motherboard



Screw 3\*5\*7PWM x 13  
Motherboard/ODD



Screw 3.5\*6\*8HWM x 8  
PSU/PCI Card



Screw 6#\*6 x 4  
3.5"HDD



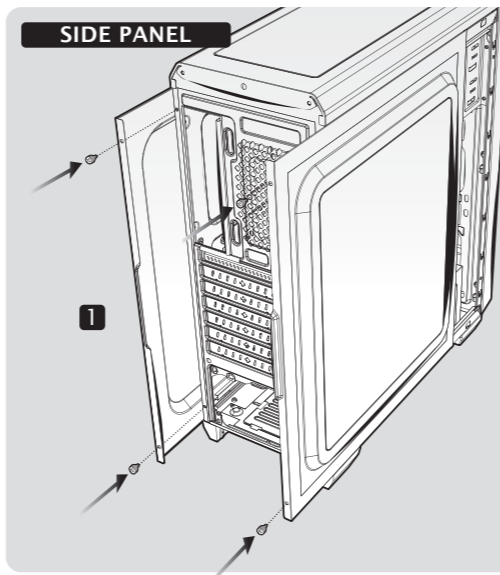
Screw M6-32\*4.5 x 4  
3.5"HDD



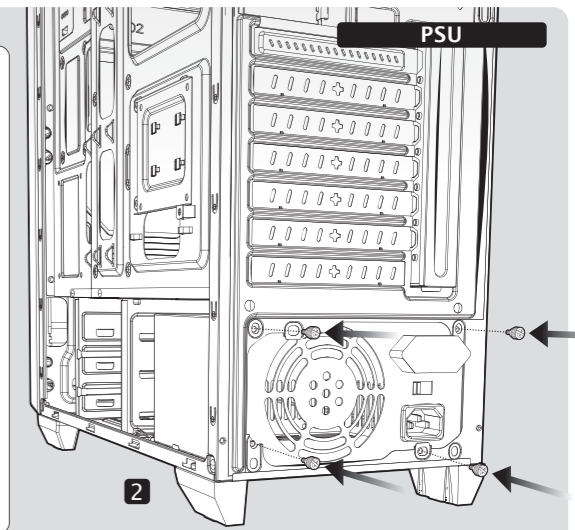
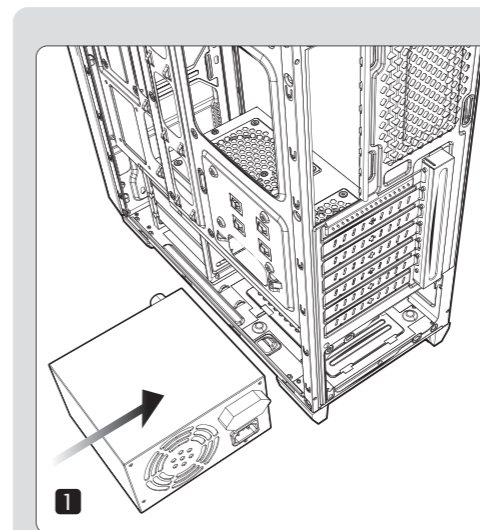
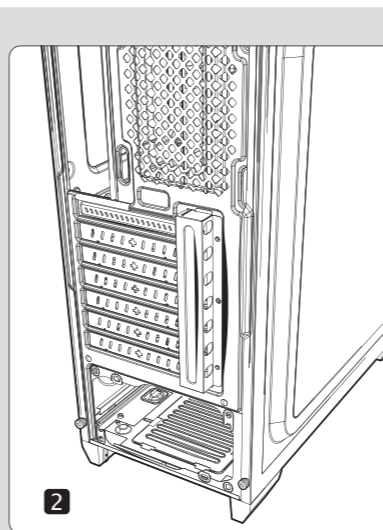
Screw 3.5\*5\*6 x 4  
3.5"HDD



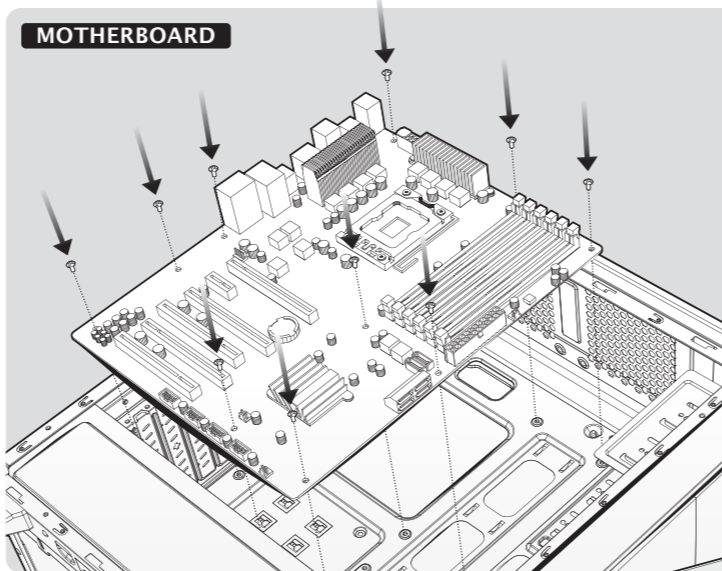
Screw 3\*3\*7PWM x 12  
2.5"HDD



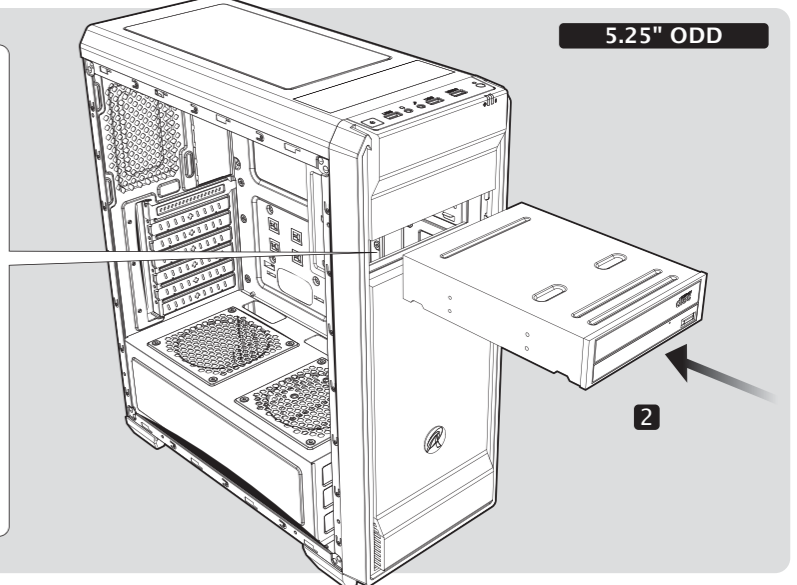
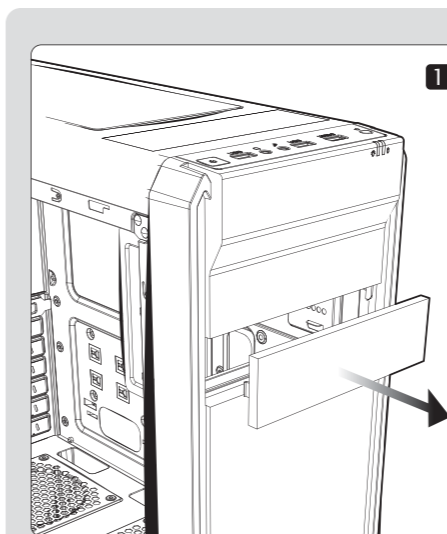
SIDE PANEL



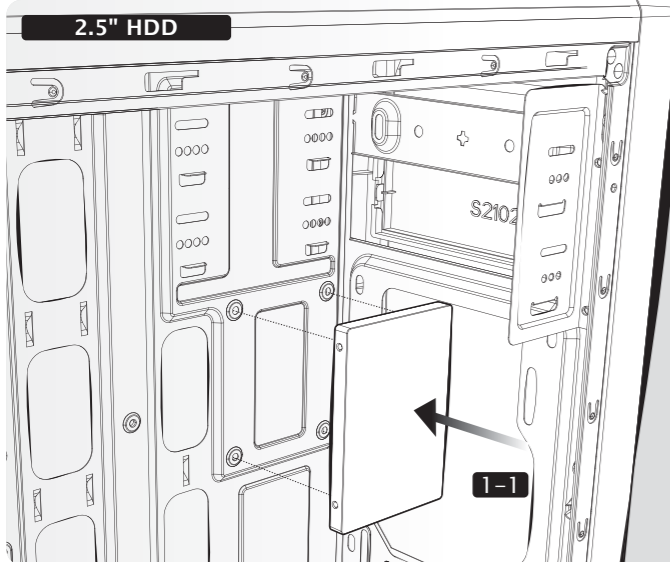
PSU



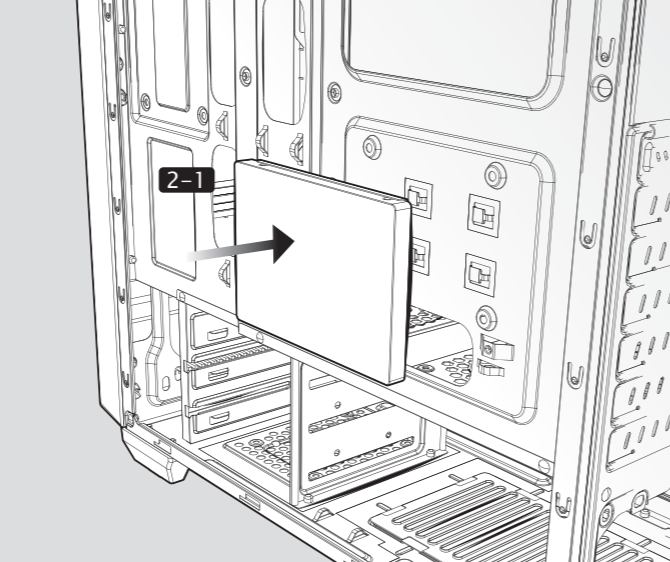
MOTHERBOARD



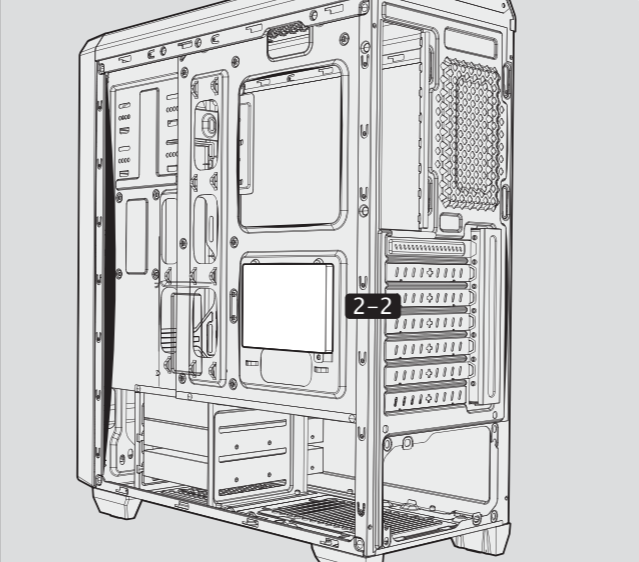
5.25" ODD



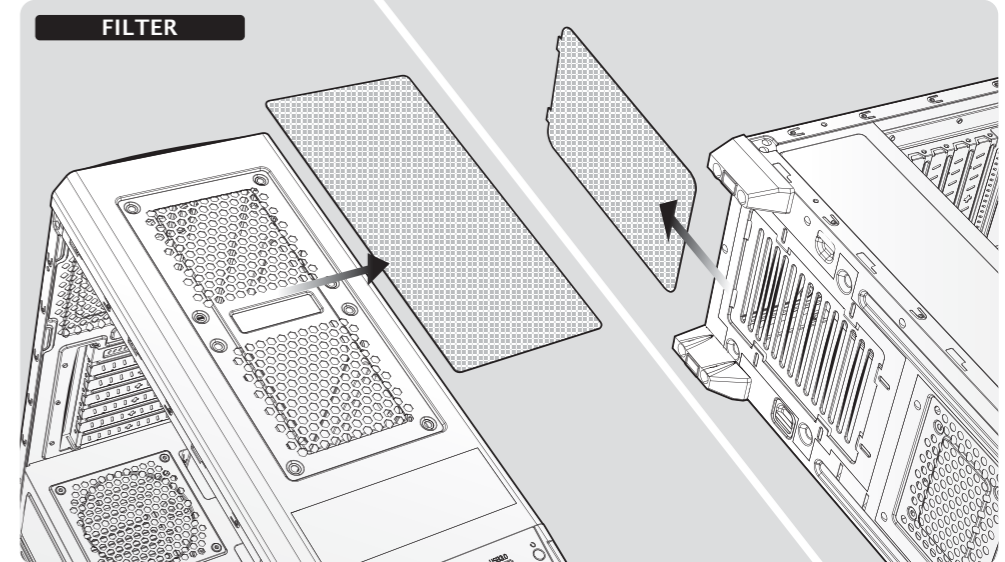
2.5" HDD



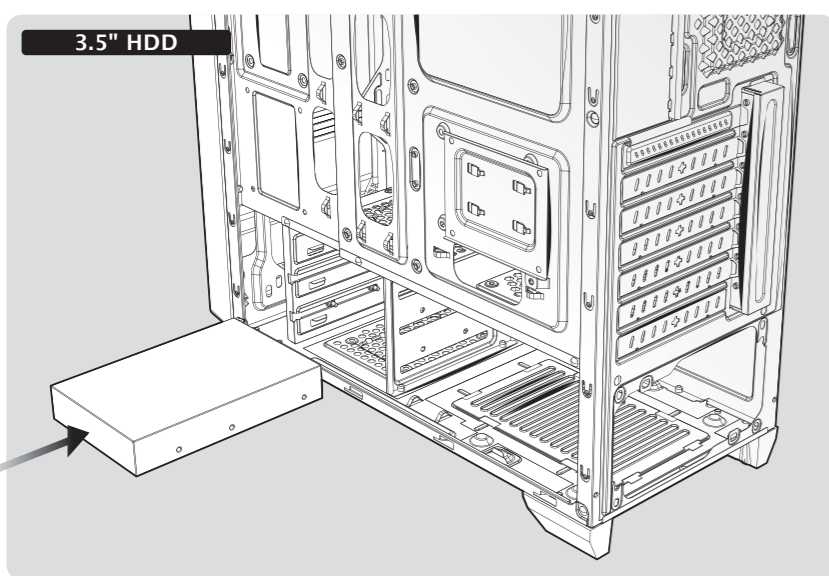
2-1



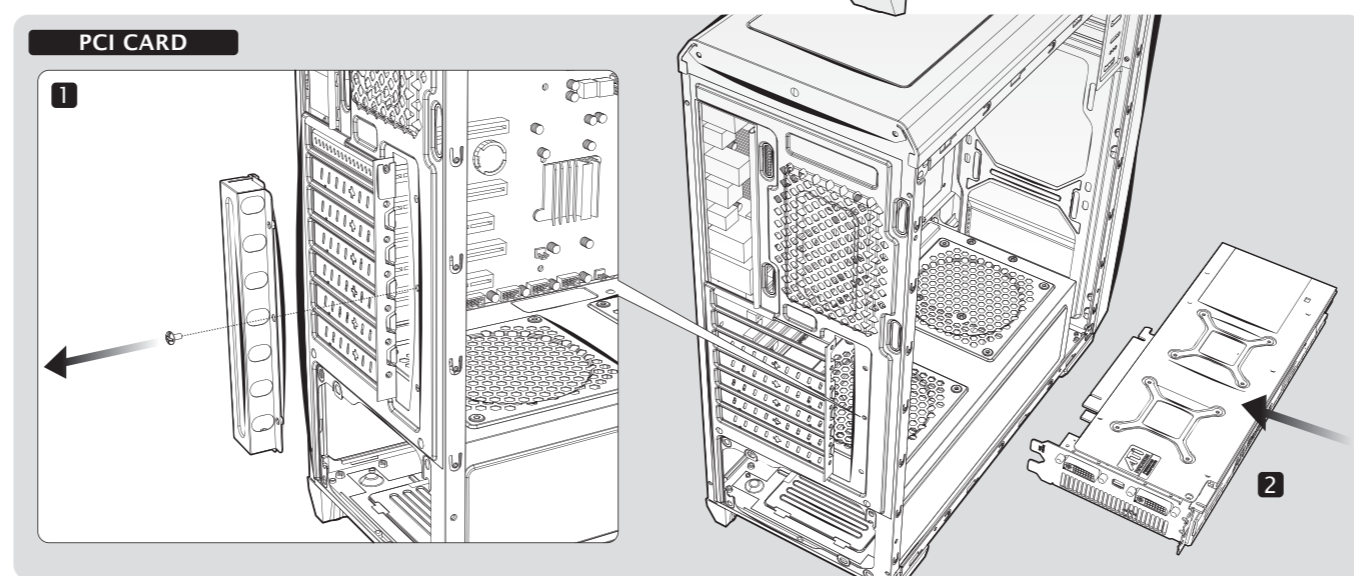
2-2



FILTER



3.5" HDD



PCI CARD

1

2