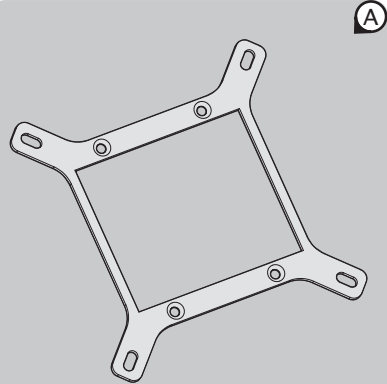


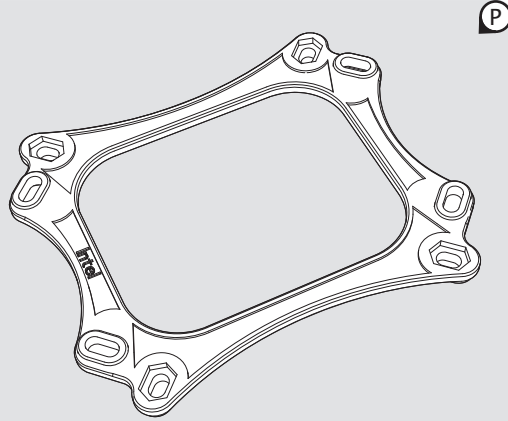


# EOS RBW

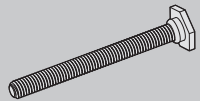
FOR INTEL LGA 1700



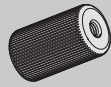
Intel Bracket × 1  
LGA1366/1150/1151/1156/2011/2011-V3/2066/1700



Intel LGA 1700 Backplate × 1



Hexagon Screw L30 × 4  
LGA1366/1150/1151/1156/1700  
AM2/AM2+/AM3/AM3+/AM4



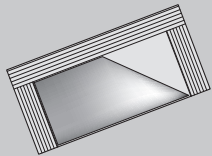
Metal Nut × 4  
LGA1366/1150/1151/1156/1700  
AM2/AM2+/AM3/AM3+/AM4



Cross Metal Cap × 4  
LGA1366/1150/1151/1156/2011/2011-V3/  
2066/1700; AM2/AM2+/AM3/AM3+/AM4



M3 L8 Screw × 4  
LGA1366/1150/1151/1156/2011/2011-V3/  
2066/1700; AM2/AM2+/AM3/AM3+/AM4



Thermal grease × 1

