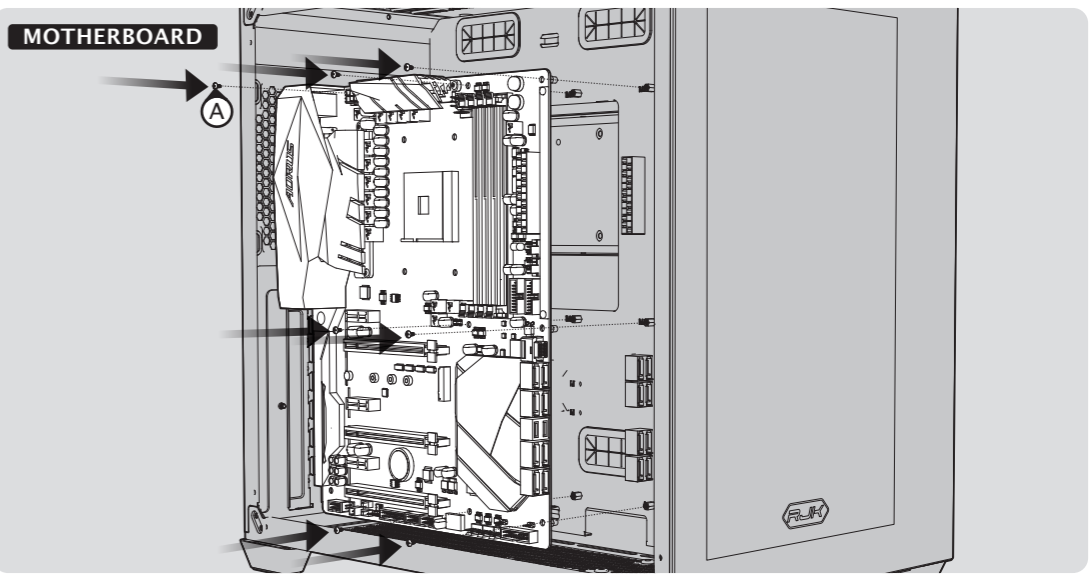
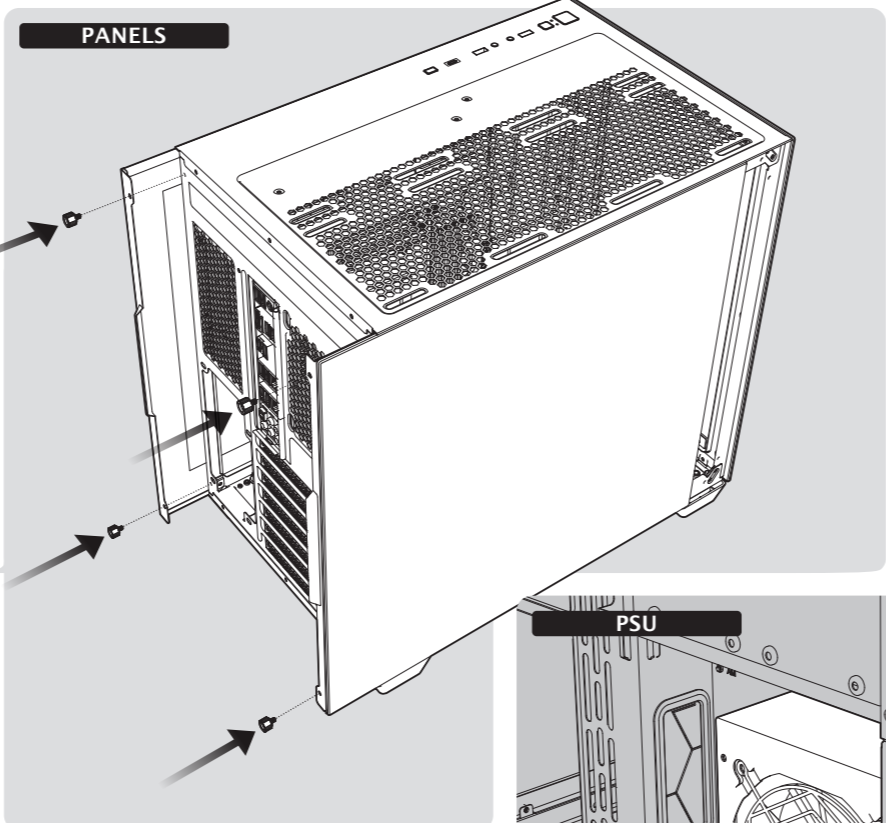
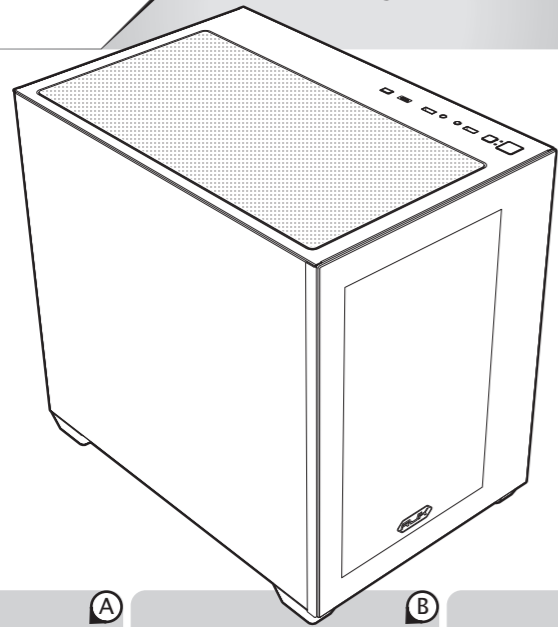




PAEAN C7

High-End SHOWCASE ATX CHASSIS



- A** Screw M3 L5 × 18
Motherboard/2.5"HDD/2.5"SSD
- B** Screw #6-32 L6 × 6
PSU/VGA
- C** Screw #6-32 L5 × 9
3.5"HDD
- D** Stand-off × 3
MB
- E** Cable Tie × 5

