

Screw M3 L6.5 × 18
2.5"SSD



Screw 6-32 L6 × 6
PSU



Screw M3 L5 × 8
3.5"HDD/2.5"SSD



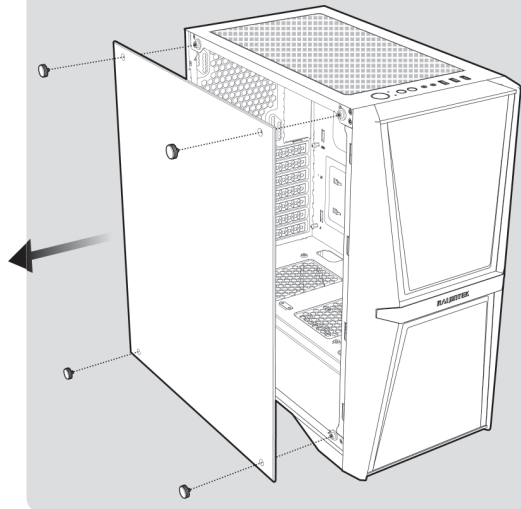
Stand-off × 3
MB



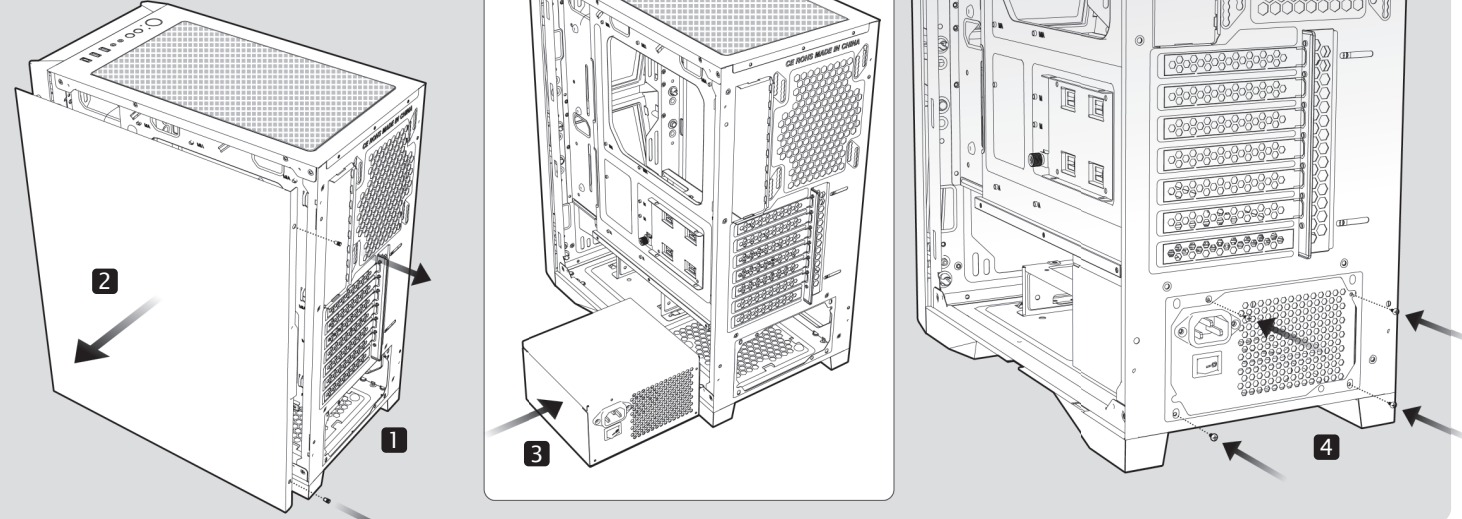
Cable Tie × 5



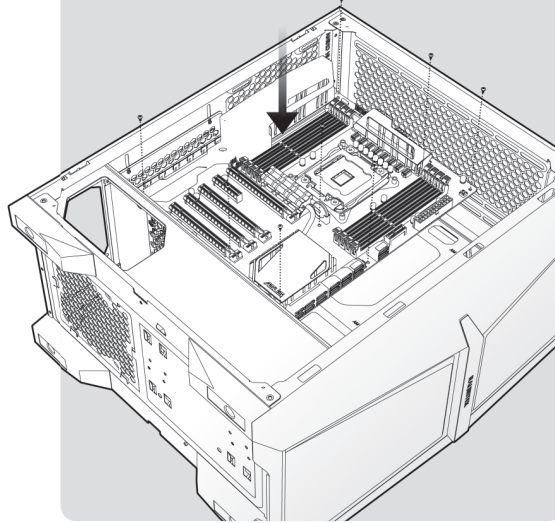
SIDE PANEL



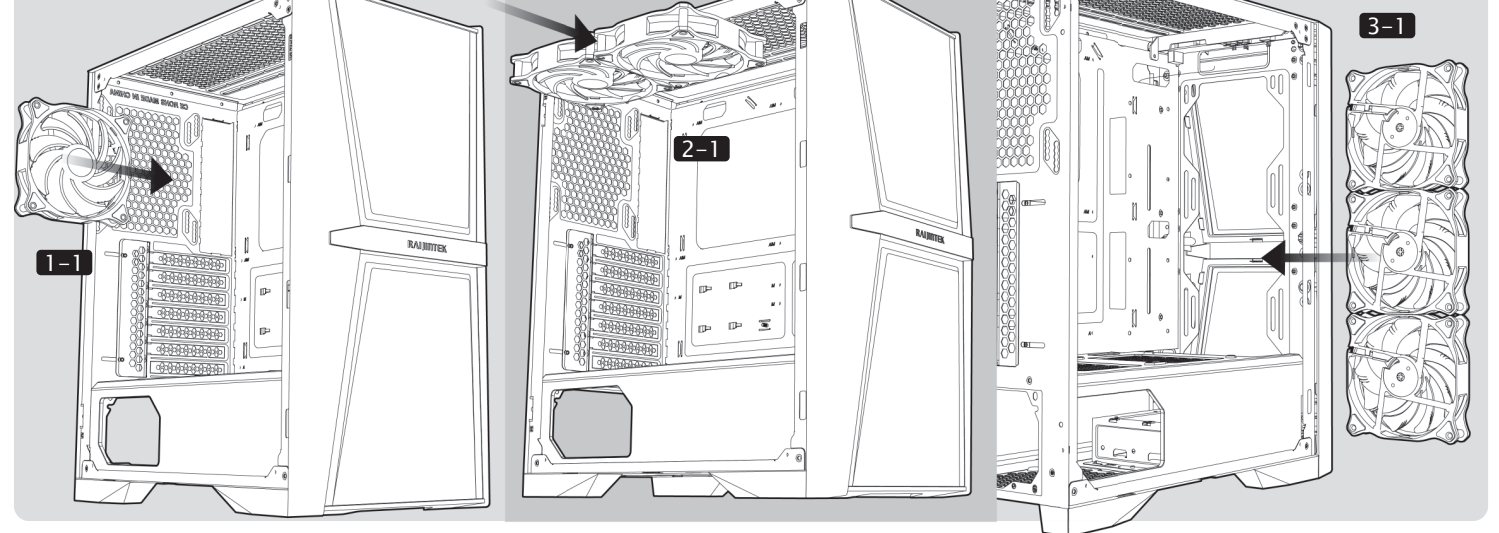
PSU



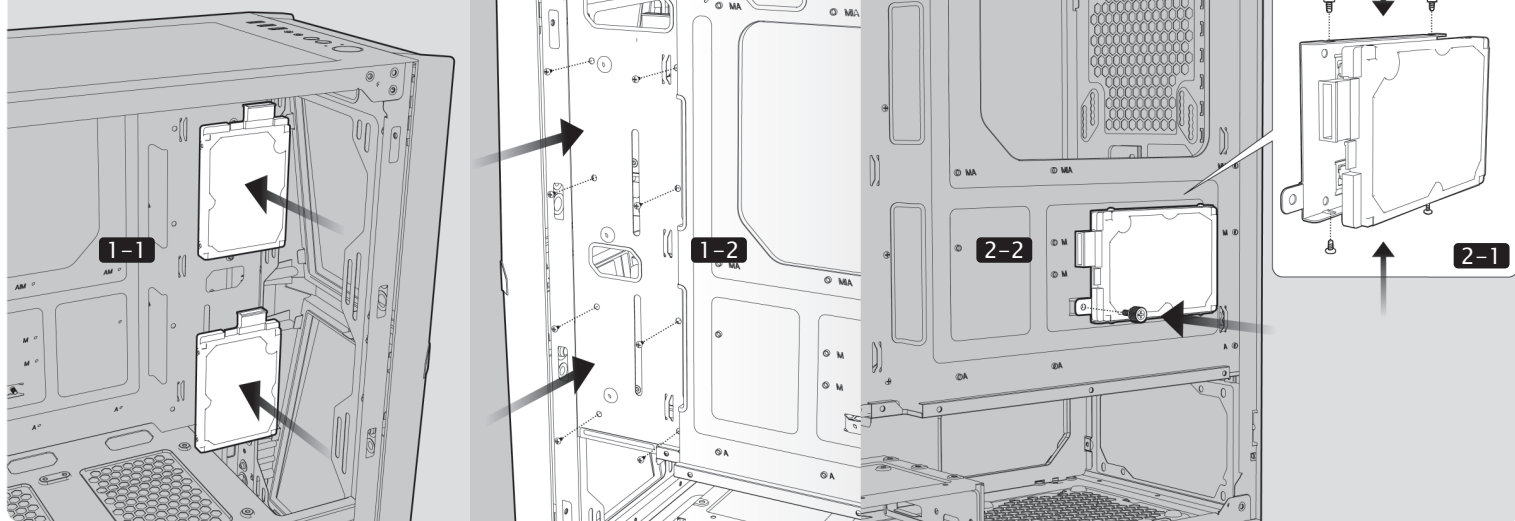
MOTHERBOARD



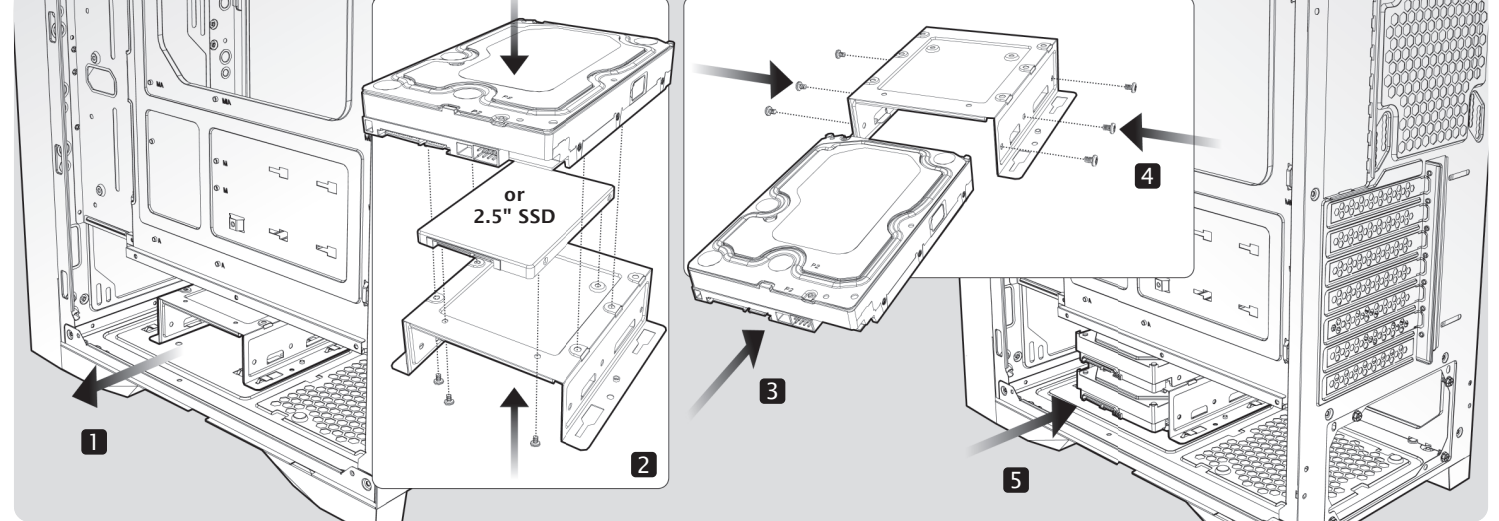
FAN



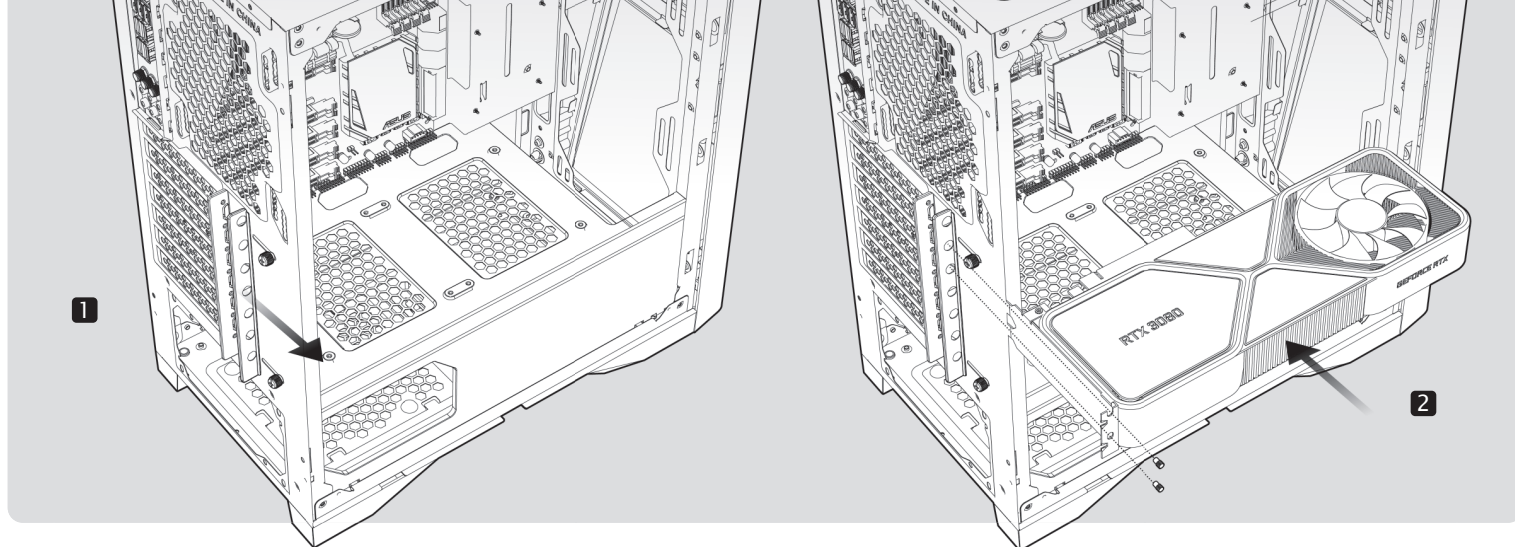
2.5" SSD



3.5" HDD



PCI CARD



FILTER

