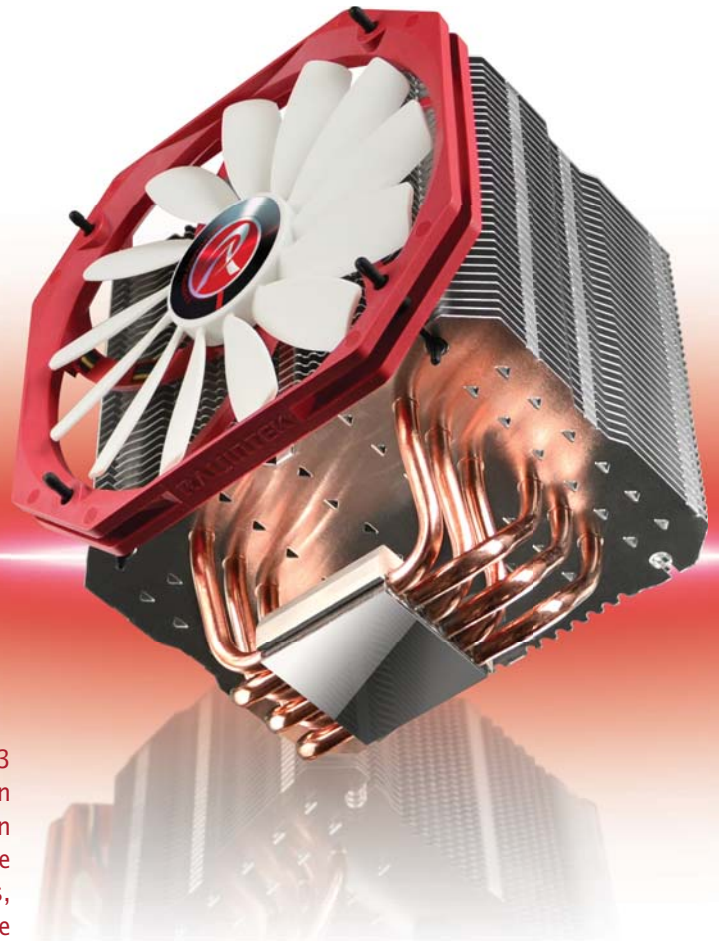


EREBOSS

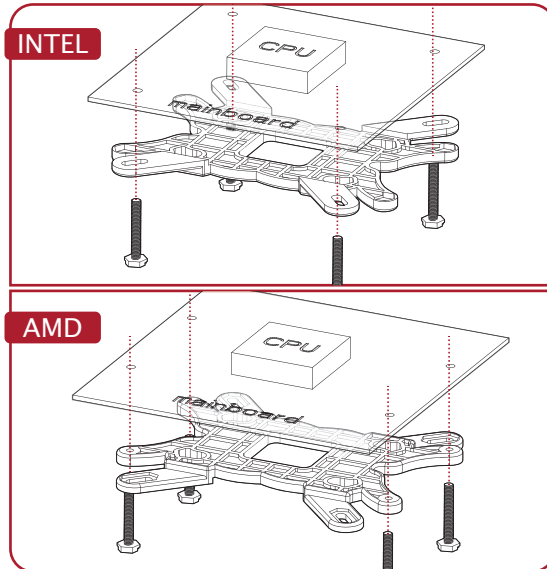
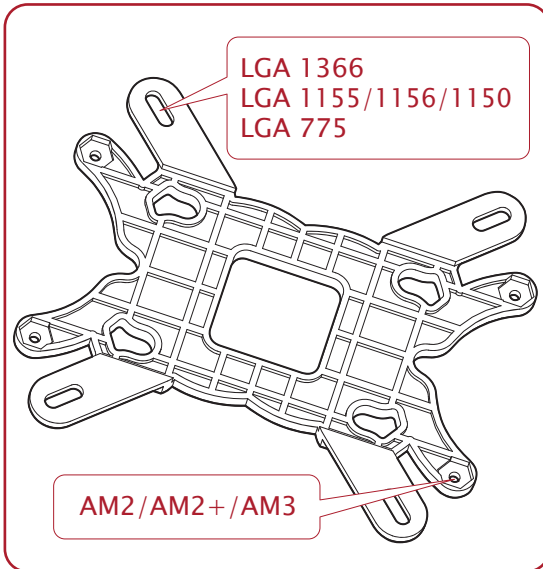
Data Sheet



EREBOSS, a giant heat-sink with world's top slim type 14013 fan, is an extremely good C/P value cooler. "Designed in Germany", Ereboss is manufactured to provide users an awesome performance but at a great price point. Its' fan mate is 14013, world's top slim type 140mm fan-13mm thickness, but provide outstanding cooling air flow. With multiple mounting kits, giant dissipating fin area and outstanding performance, Ereboss is your best choice of cooling partner.

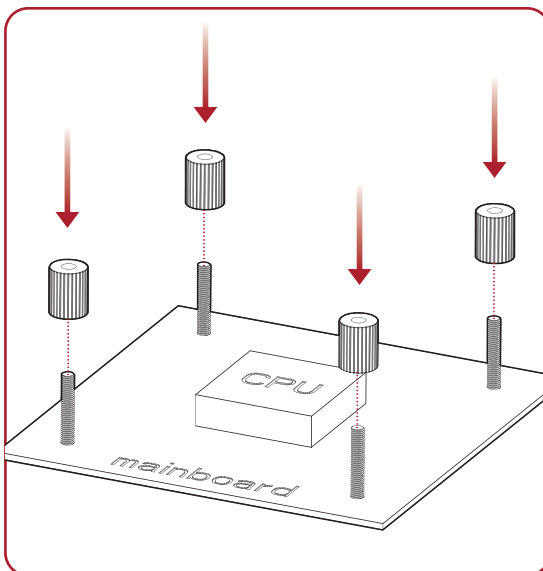
- Nickel copper base, 6 efficient 6mm Heat-pipes and ultra large dissipating area fin
- Super Slim 14013 type PWM fan - 13mm height; Low noise, outstanding air flow and pressure
- Multiple mounting kits for INTEL 2011/1366/1156/1155/1150 & AMD AM2/AM3
- New specially engineered holes on fins to provide excellent air flow and cooling efficiency
- Option to install dual fans and anti-vibration rubber attached
- User friendly design - Multiple socket compatibility

Multiple Mounting Kits

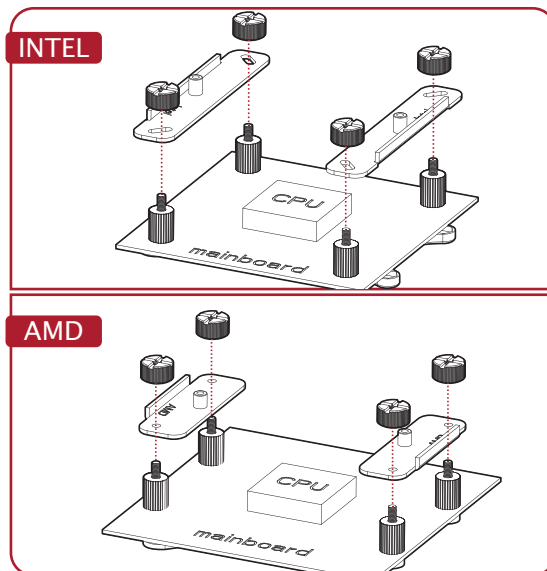


Before installation, check the hole position of M/B; Intel LGA775, LGA1155/1156/1150 or LGA 1366; AMD AM2, AM2+ or AM3.

Aim the holes of back plate to the holes of MB, then let Knurled threaded screws through back plate and MB

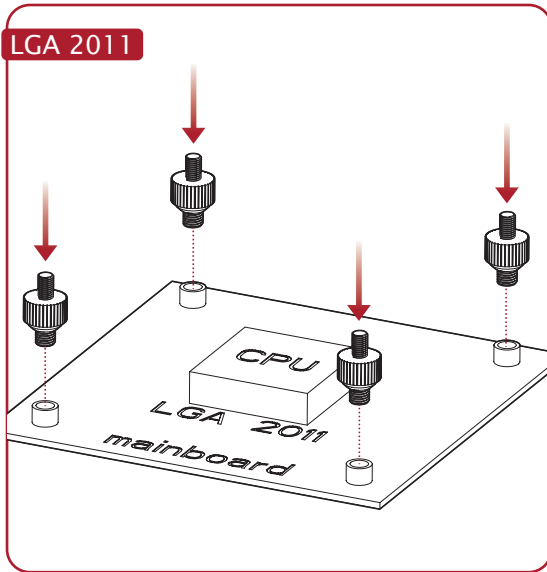


Use plastic nuts to fasten back plate and MB

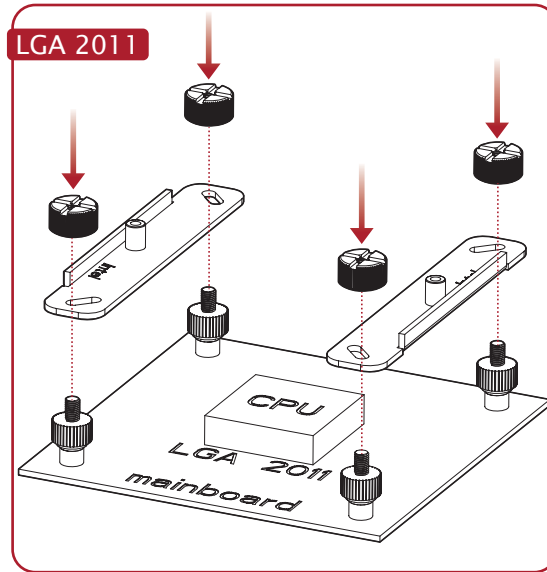


Then, aim the holes of mounting-clip to the Knurled threaded screws, then slip over the clips to the screw, and use metal nuts to fasten.

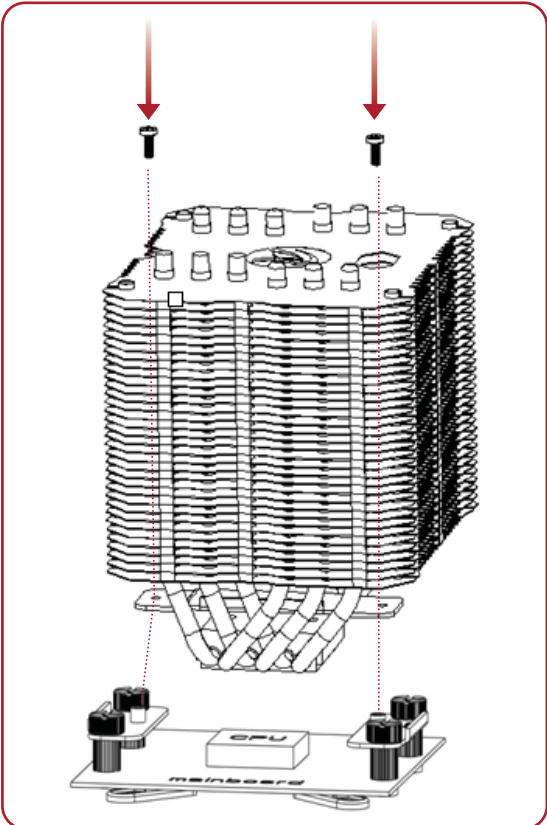
Multiple Mounting Kits & Optional Fan Mounting



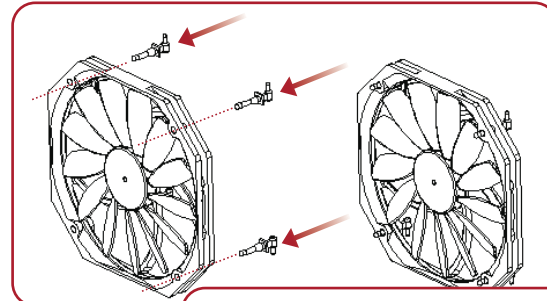
Fasten LGA 2011 screws tightly onto MB.



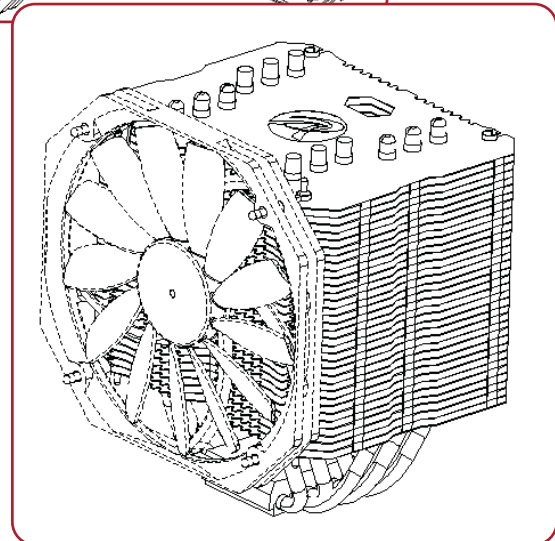
Aim the holes of Intel mounting-clip to the LGA 2011 screws, and slip over the clips to the screw. Then, fasten the metal nuts onto LGA 2011 screws.



Aim the holes of crossbar to the pillar holes of mounting-clip, then use screw driver ⊕ and M3 screws to fasten cross bar and mounting-clips.



Securely fix the anti-vibration rubbers onto the fan.



Insert anti-vibration rubbers into Heatsink (insert through form top of fins). Then, insert anti-vibration rubbers into Heat-sink (insert through from bottom of fins).

SPECIFICATION

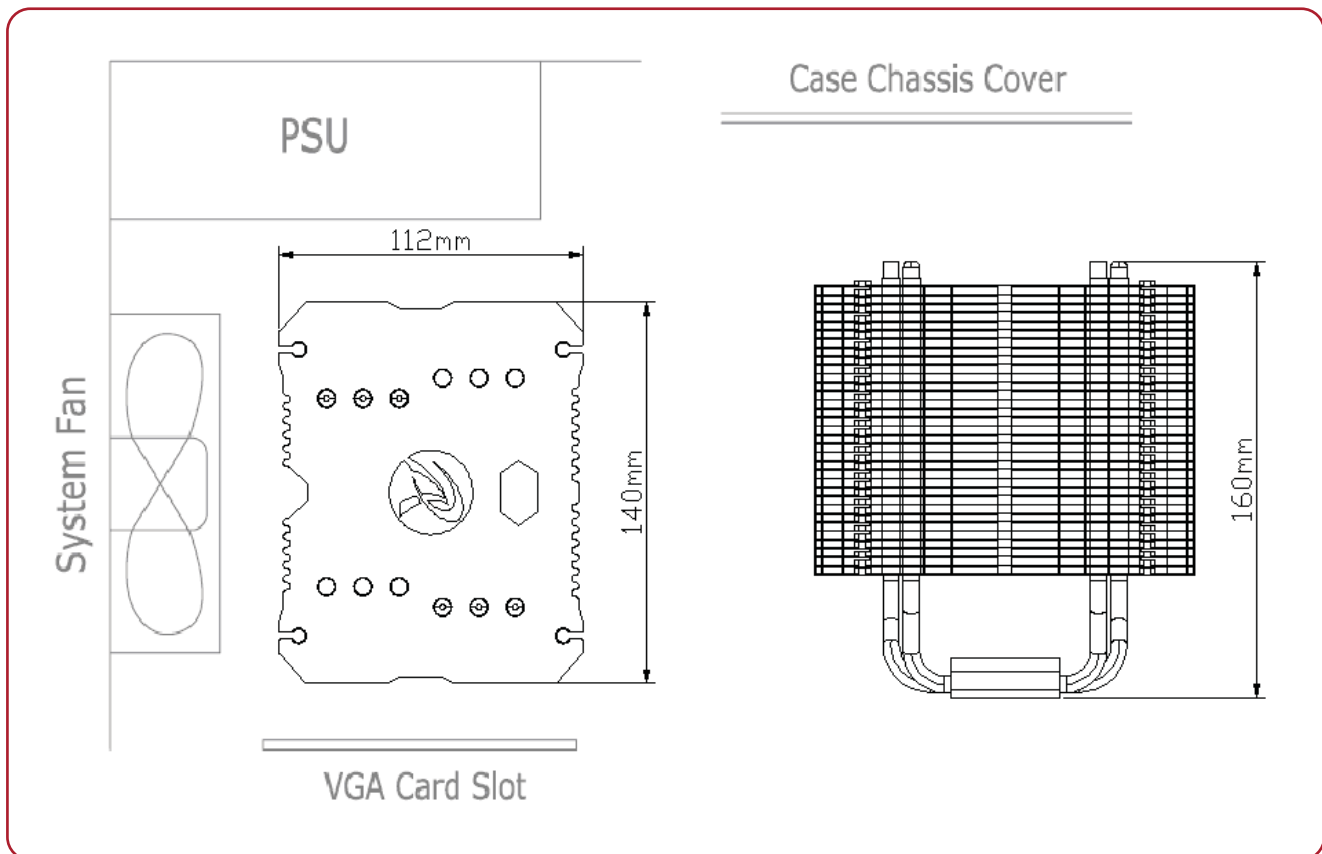
Product Name	EREBOSS	
Product Number	OP105250	
Dimension [WxDxH]	140x110.5x160 mm	
Weight	808 g [Heat Sink Only]	
Thermal Resistance	0.11 °C/W	
Heat Sink	Base Material	Nickel Copper Base
	Fin Material	Aluminum Alloy; Solder-free fins assembly
Heat-pipe	SPEC	Ø6mm
	Q'ty	6 pcs
Fan	Dimension [WxHxD]	140x150x13 mm
	Voltage Rating	12V
	Starting Voltage	7 V
	Speed	650~1400 R.P.M.
	Bearing Type	Sleeve Bearing
	Air Flow	44.43~56.55 CFM
	Air Pressure	0.76~1.24 mmH ₂ O
	Life Expectance	40,000 hrs
	Noise Level	28.0 dBA
	Connector	4 pin with PWM

APPLICATION

Intel®	All Socket LGA 775/1150/1155/1156/1366/2011 CPU (Core™ i3 / i5 / i7 CPU)
AMD®	All FM2+/FM2/FM1/AM3+/AM3/AM2+/AM2 CPU

Keep off zone

- Keep and store the product away from the reach of children.
- Check the component list and condition of the product before installation.
If there is any problem, contact the shop where you purchased to get a replacement or refund.
- RAIJINTEK Co., Ltd. is not responsible for any damages due to external causes, including but not limited to, improper use, problems with electrical power, accident, neglect, alteration, repair, improper installation, and improper testing.
- CPU and motherboard are subject to damage if the product is incorrectly installed.
Familiarize yourself with the "Installation" steps before installing the EREBOSS.



Accessories



14013 PWM Fan X 1



Back Plate X 1



Crossbar X 1



Screwdriver X 1



Intel Mounting Clip X 2



AMD Mounting Clip X 2



Anti-vibration Rubber X 8



Installation Guide X 1



M3 Screw X 2



Knurled Threaded Screw X 4



LGA2011 Screw X 4



Metal Nut X 4



Plastic Nut X 4



Thermal Grease X 1